

EDGEVIS MINICAM

The EdgeVis MiniCam is a revolutionary option for rapid deployment of CCTV cameras. The compact units can be installed quickly onto existing street furniture or dedicated mounting, ideal for monitoring vulnerable facilities and sites or temporary surveillance, such as events and street/housing-estate surveillance. The EdgeVis MiniCam combines our unique video-streaming and analytics solution, into a robust and simple to deploy enclosure.



GENERAL	
Streaming Performance	Up to a maximum of 1080p at 10fps, 720p at 15fps, D1 at 30fps
Streaming Connection	Reliable, secure (AES-256) video transmission from 9Kbps to 2Mbps
High-Resolution Image Retrieval	Up to 1080p over user-definable areas via high quality JPEG

ALARMS	
Video Analytics	Sterile-zone video analytics provided by SafeZone-2D

RECORDING	
Recording Performance	H.264 at maximum resolution of 1080p at 30fps
Security	Recordings are secured with AES-256 encryption and Fragile Digital Watermarking
Storage Medium	Internal non-removable SSD (Up to 2TB)

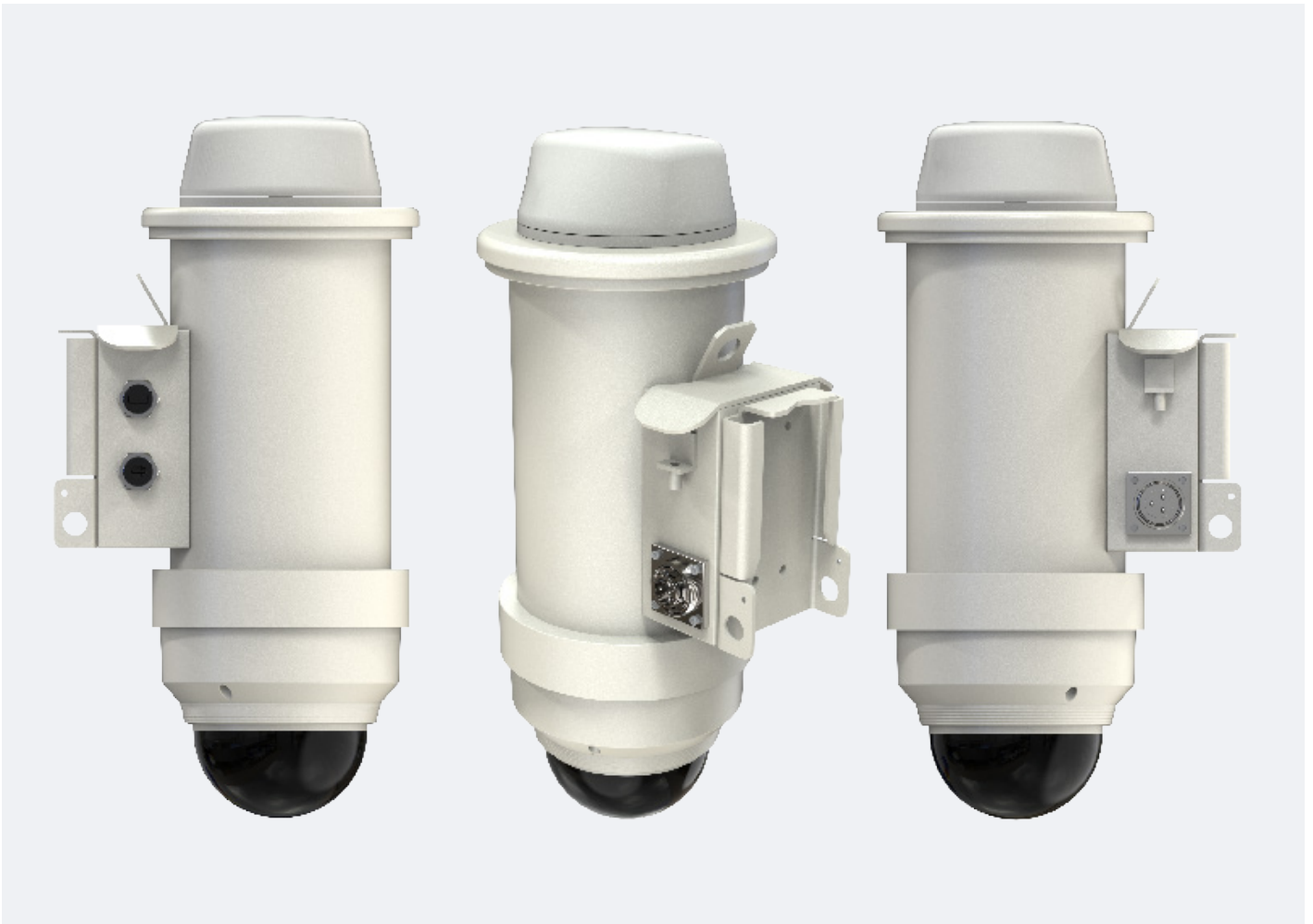
CONNECTIVITY	
Cellular	Built-in 4G/LTE module
WIFI	Built-in 2.4/5GHz 802.11 ac module

CAMERA	
FoV	H : 54.58°(Wide) ~ 5.30°(Tele) V : 32.19°(Wide) ~ 3.00°(Tele)
Minimum Illumination	Color : 0.03 Lux (F1.6, 1/30sec), B/W : 0.003 Lux (F1.6, 1/30sec)
Focal Length	5.2 ~ 62.4mm (Optical 12X)
PTZ	360° PTZ dome with PTZ presets and tour
Imaging Technology	Hanwha Techwin

PHYSICAL CONNECTORS	
Antenna	Combined integrated MIMO LTE and WiFi antenna
USB Ports	1 x USB 2.0 Type A (configuration only)

PHYSICAL CHARACTERISTICS	
Physical Size (H X D)	486mm x 192mm (with integrated antenna) 486mm x 220mm (depth to backbox)
Operating Temp/ Humidity	-10°C to +45°C
Weight	7KG
Input Voltage Range	90 to 240VAC
Power indicator	Green LED
Power Consumption	Max 30W (All functionality)
Enclosure	IP66 rated all-in-one design, with universal mountings for simple deployment

COMPLIANCE	
Article	Applied Harmonised Test Standards
Health & Safety (Article 3.1a)	EN 62368-1: 2014/A11:2017 EN 62311: 2020
EMC (Article 3.1b)	EN 301 489-1 V2.1.1 EN 301 489-17 V3.1.1 EN 301 489-52 V1.1.0
Spectrum (Article 3.2)	EN 300 328 V2.1.1 EN 301 893 V2.1.1 EN 301 908-1 V11.1.1 EN 301 908-2 V11.1.2 EN 301 908-13 V11.1.2
NDAA Compliant	Yes



For more information, please visit www.digitalbarriers.com

©2021 Digital Barriers. All rights reserved. E&OE. Specifications subject to change without notice. v1.2



SPECSHEET | EDGEVIS MINICAM